

K11 series

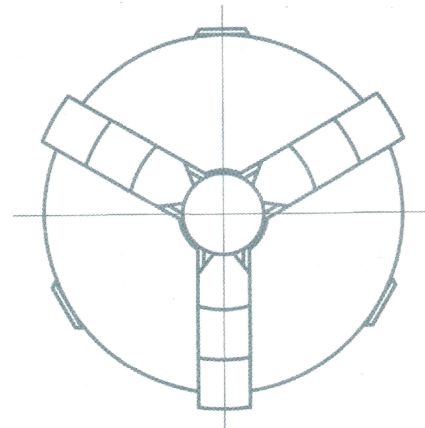
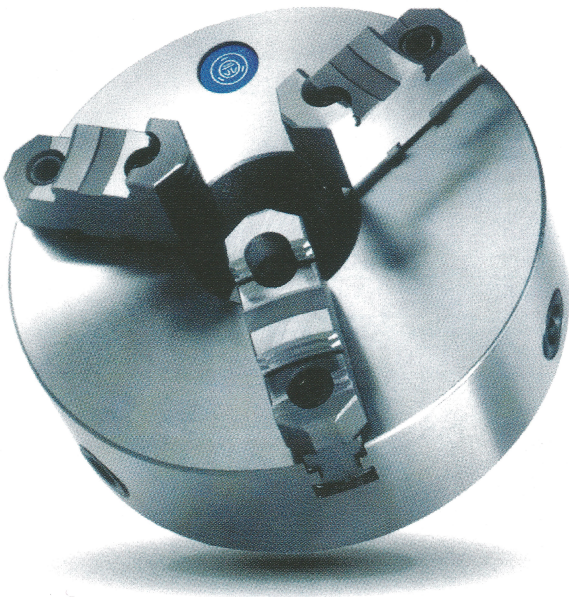
# THREE-JAW Self-centring chucks

## K11 系列三爪自定心卡盘

### 说明 Explain

K11 系列三爪自定心卡盘为 K11、K11A、K11C 三种型号。K11 型配带正爪和反爪各一副，可分别使用，K11A 型配带符合 ISO3442 标准的分离爪，K11C 型配带传统结构的分离爪。并可根  
据用户要求提供软卡爪，经随机配车（磨）后可获得较高定心精度，  
满足夹持要求。

K11 series Three-jaw Self-centring chuck is subdivided into three types, K11, K11A, K11C. Type K11 provides two sets of clutches in different directions which can be used respectively. Type K11A provides ISO3442 standard clutches, and Type K11C provides traditional separate clutches. Soft clutches are to be provided on request. Higher centring accuracy can be achieved after being rubbed on the machine, so as to satisfy the need for holding.



### 规格表 Specifications

规格 / 型式 SPEC./MODEL	D1	D2	D3	H	H1	H2	h	z-d
K <sub>11</sub> 315	260	285	100	142.5	90	-	6	3-M16
K <sub>11</sub> 315A	260	285	100	155.5	90	96.5	6	3-M16
K <sub>11</sub> 315C	260	285	100	155.5	90	96.5	6	3-M16
K <sub>11</sub> 320	270	290	100	142.5	90	-	6	3-M16
K <sub>11</sub> 320A	270	290	100	155.5	90	96.5	6	3-M16
K <sub>11</sub> 320C	270	290	100	155.5	90	96.5	6	3-M16
K <sub>11</sub> 325	272	296	100	142.5	90	-	6	3-M16
K <sub>11</sub> 325A	272	296	100	155.5	90	96.5	6	3-M16
K <sub>11</sub> 325C	272	296	100	155.5	90	96.5	6	3-M16
K <sub>11</sub> 380	325	350	130	155.5	100	-	6	3-M16
K <sub>11</sub> 380A	325	350	130	171.5	100	110.5	6	3-M16
K <sub>11</sub> 380C	325	350	130	164.5	100	105.5	6	3-M16
K <sub>11</sub> 400	340	368	130	155.5	100	-	6	3-M16
K <sub>11</sub> 400A	340	368	130	171.5	100	110.5	6	3-M16
K <sub>11</sub> 400C	340	368	130	164.5	100	105.5	6	3-M16
K <sub>11</sub> 500	440	465	200	181	115	-	6	6-M16
K <sub>11</sub> 500A	440	465	200	203	115	123	6	6-M16
K <sub>11</sub> 630	560	595	260	194	130	-	7	6-M16
K <sub>11</sub> 630A	560	595	260	218	130	138	7	6-M16
K <sub>11</sub> 800A	710	760	385	242	149	159	8	6-M20

